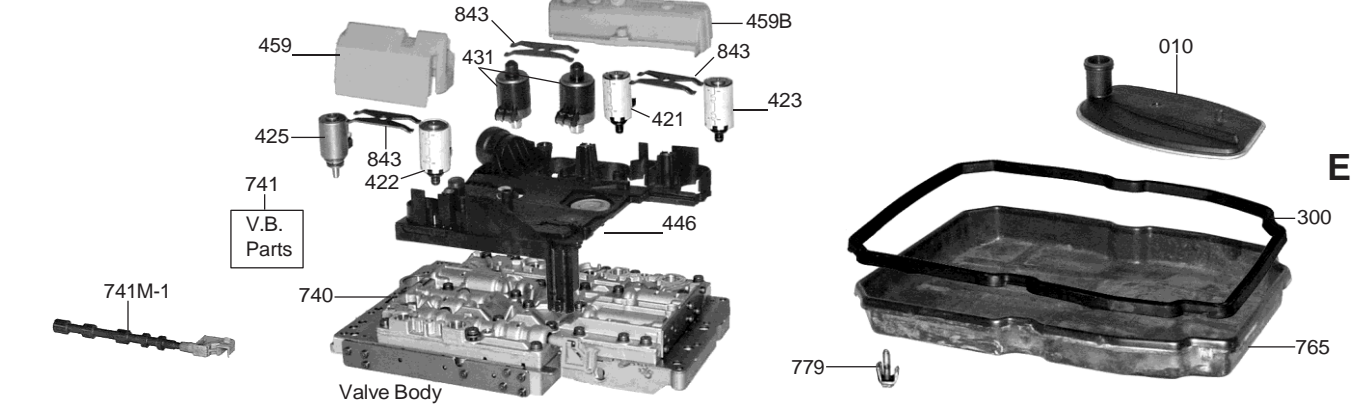
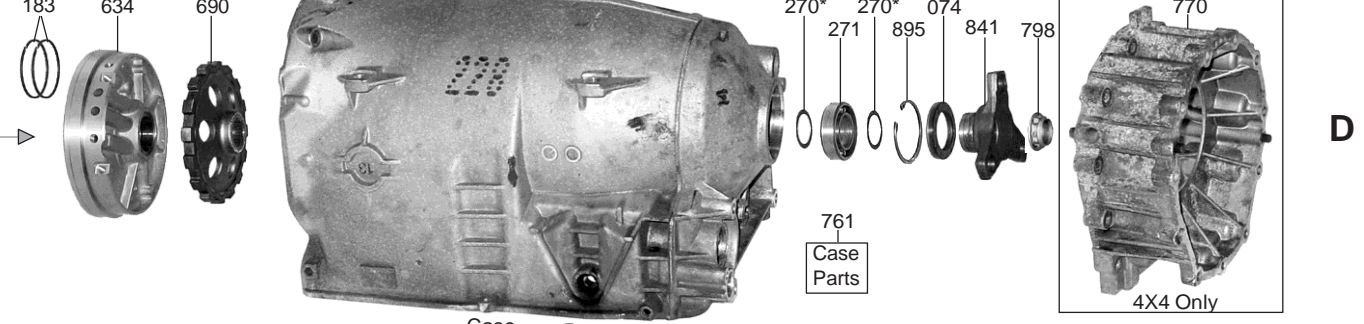
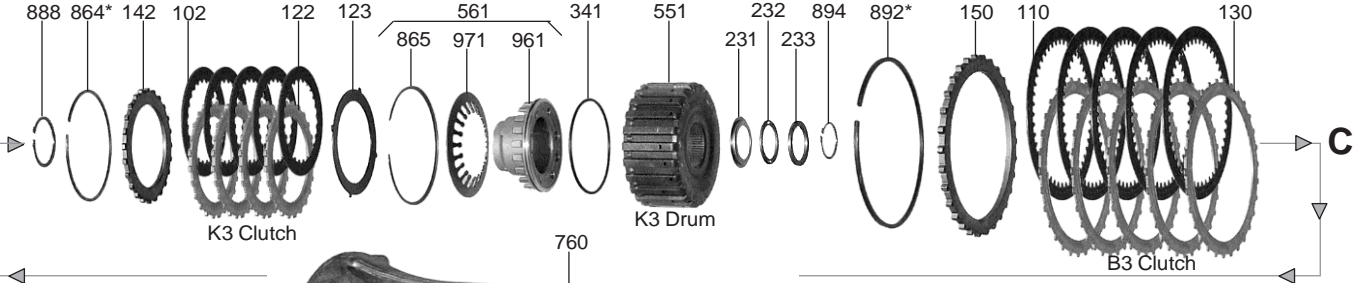
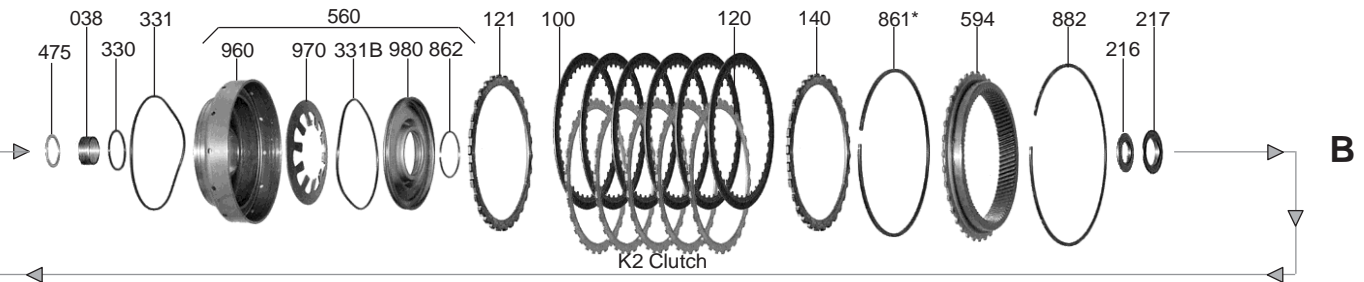
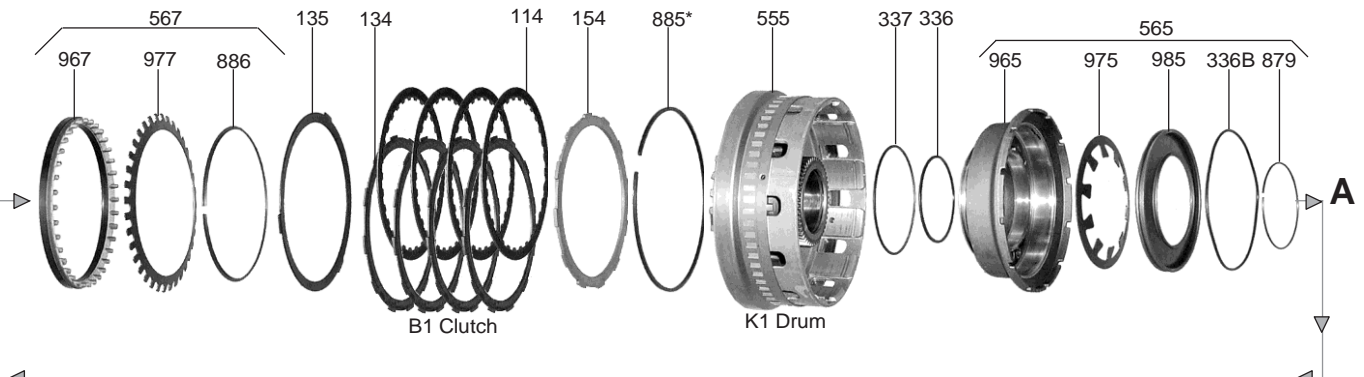


MERCEDES



MERCEDES

PART #	OVERHAUL KIT	QTY	REFERENCE #
78002A	Overhaul Kit, 722.6 1996-Up (For B1 Bonded Piston Sell 78967A Or 78967C)	1	
PART #	MASTER L/STEELS KIT	QTY	REFERENCE #
78004A	Master L/Steels Kit, 722.6 1996-01 (With Large ID K2 Clutch)(Fits 4 Gear Rear Planet) (With Double Sided Friction)(For B1 Bonded Piston Sell 78967A)	1	
78004AA	Master L/Steels Kit, 722.6 1996-01 (With Small ID K2 Clutch)(Fits 3 Gear Rear Planet) (With Double Sided Frictions)(For B1 Bonded Pistons Sell 78967A)	1	
78004C	Master L/Steels Kit, 722.6 (Mercedes) 2002-Up (With Six 78114C & Six 78134C B1 Single Sided Frictions)(With Large ID K2 Clutch, Fits A 4 Gear Rear Planet)(For B1 Bonded Piston Sell # 78967C)	1	
78004CA	Master L/Steels Kit, 722.6 (Chrysler) 2002-Up (With Ten 78114C & Ten 78134C B1 Single Sided Frictions)(With Large ID K2 Clutch, Fits A 4 Gear Rear Planet)(For B1 Bonded Pistons Sell # 78967C)	1	
78004CAA	Master L/Steels Kit, 722.6 2002-Up (With Small ID K2 Clutch)(Fits 3 Gear Rear Planet) (With Single Sided Frictions)(For B1 Bonded Sell 78967C)(Fits W5A330 Sprinter)	1	
78004CB	Master L/Steels Kit, NAG1 2006-Up Chrysler With 5.7L/6.1L Hemi (With Single Sided Frictions)(For B1 Bonded Piston Sell 78967C)(With Large ID K2 Clutch)(Fits A 4 Gear Rear Planet)	1	
PART #	MASTER W/STEELS KIT	QTY	REFERENCE #
78006A	Master W/Steels Kit, 722.6 1996-01 (For B1 Bonded Piston Sell 78967A)	1	
78006C	Master W/Steels Kit, 722.6 (Mercedes) 2002-Up (With Six 78114C & Six 78134C B1 Single Sided Frictions)(With Large ID K2 Clutch, Fits A 4 Gear Rear Planet)(For B1 Bonded Piston Sell # 78967C)	1	
78006CA	Master W/Steels Kit, 722.6 (Chrysler) 2002-Up (With Ten 78114C & Ten 78134C B1 Single Sided Frictions)(With Large ID K2 Clutch, Fits A 4 Gear Rear Planet)(For B1 Bonded Piston Sell # 78967C)	1	
PART #	FILTERS	QTY	REFERENCE #
78010A	Filter, 722.6 (All) 1996-Up	1	
PART #	BUSHINGS	QTY	REFERENCE #
78034A	Bushing, 722.6 Pump Body (1.690"ID) (Bronze) 1996-Up (Can Use 68034B)	1	
68034B	Bushing, 722.6 Pump Body (Front) (1.690"ID)	1	
S68034BA	Bushing, 722.6 Front Pump Body (Unfinished)(Sonnax) (Pump Body Must Be Machined And Bushing Finished In Place)	1	
78037A	Bushing, 722.6 Stator (Rear) 1.235"ID (Brass) 1996-Up	1	
78038A	Bushing, 722.6 (Mercedes) K2 Drum (Rear) (.915"ID) 1996-Up	1	
78038C	Use 78215C		
78215C	Caged Needle Bearing, 722.6 (Chrysler) K2 Drum (Rear) (Cast # HK2210) 2004-Up	1	
78038K	Bushing Set, 722.6 (Mercedes) K2 Drum (Rear) (Contains: 1 Stock Bushing .915"ID & 1 Oversize Bushing) (The Oversize Bushing Is For The Only Output Shaft That Mercedes Offers New)	1	
78056A	Bushing, 722.6 (Mercedes) Rear Sun Gear (.188" Wide) 1996-Up (2.999"OD) (Split, Brass)	1	
PART #	METAL CLAD SEALS	QTY	REFERENCE #
68070B	Seal, 722.6 Front 1996-Up	1	
68072B	Seal, 722.6 Linkage Shaft (.710"OD)(.469"ID) 1996-Up	1	
78074A	Seal, 722.6 Rear (.322" Thick) (2.445"OD) 1996-Up	1	
PART #	FRICTION CLUTCH	QTY	REFERENCE #
78100A	Friction, 722.6 (Mercedes) K2 Clutch (.085") 36 Teeth (6 1/2"OD) 1996-Up (With Small ID Fits A 3 Gear Rear Planet #584)	3-6	210-272-00-25
78100AA	Friction, 722.6 K2 Clutch (.085") 36 Teeth (6 1/2"OD) 1996-Up (With Large ID, Fits A 4 Gear Rear Planet # 584)	5-6	140-272-01-25
78102A	Friction, 722.6 (Mercedes) K3 Clutch (.087") 24 Teeth (2 Sided) 1996-Up	3	
78102C	Friction, 722.6 (Chrysler) K3 Clutch (.082") 24 Teeth Internal 2004-Up (1 Sided Friction)	5	
78104A	Friction, 722.6 B2 Clutch (.064") 40 External Teeth (5.215"ID) 1996-Up	4-5	
78106A	Use 78114A	6	
78106C	Use 78114C	6	
78110A	Friction, 722.6 B3 Clutch (.065") 46 Teeth (7 1/8"OD) 1996-Up	3-5	

78114A.....	Friction, 722.6 (Mercedes) B1 Clutch (.085") 30 Teeth (6 13/16"OD) 1996-Up(Double Sided) (Also Fits 722.6 (Mercedes) K1 Clutch)	4-10.....
78114C.....	Friction, 722.6 (Chrysler) B1 Clutch (.081") 30 Teeth Inner, 1 Sided (6 3/16"OD)2004-Up (Also Fits K1 Clutch)	4-10.....
78119A.....	Friction Module, 722.6 (With Large ID K2 Friction, For A 4 Gear Rear Planet) 1996-01	1
78119AA.....	Friction Module, 722.6 (With Small ID K2 Friction, For A 3 Gear Rear Planet) 1996-01	1
78119C.....	Friction Module, 722.6 (With Large ID K2 Friction, For A 4 Gear Rear Planet) 2002-Up	1
78119CA.....	Friction Module, 722.6 (With Small ID K2 Friction, For A 4 Gear Rear Planet) 2002-Up	1
78119CAA.....	Friction Module, 722.6 (With Large ID K2 Friction, For A 4 Gear Rear Planet) 2006-Up	1
78119CB.....	Friction Module, 722.6 (With Large ID K Friction, For A 4 Gear Rear Planet) 2002-Up(Chrysler NAG1 5.7L & 6.1L Hemi Engine)	1

PART #	STEEL CLUTCH	QTY	REFERENCE #
78120A.....	Steel, 722.6 (Mercedes) K2 Clutch (.136") 30 Teeth (5.755"ID) 1996-Up	3	
78120C.....	Steel, 722.6 (Chrysler) K2 Clutch (.110") 30 Teeth (5.755"ID) 2004-Up	4	
78121A.....	Steel, 722.6 K2 Clutch (.069") 30 Teeth (Bottom) 1996-Up	1	
78121C.....	Cushion, 722.6 (Chrysler) K2 Clutch (.077") 3 Teeth (Goes Under # 121A) 2004-Up	1	
78122A.....	Steel, 722.6 (Mercedes) K3 Clutch (.108") (24 Teeth) 1996-Up	4	
78122AA.....	Steel, 722.6 (Mercedes) K3 Clutch (.070") (24 Teeth) 1996-Up (This Is The Bottom Steel).....	1	
78122AB.....	Steel, 722.6 (Mercedes) K3 Clutch (.138") (24 Teeth) 1996-97	3-4.....	141709-350
78122C.....	Friction, 722.6 (Chrysler) K3 Clutch (.082") (24 Teeth External) 2004-Up(1 Sided Friction)	4	
78123A.....	Cushion, 722.6 K3 Clutch (.067") 4 Teeth (3.455"ID) 1996-Up	1	
78124A.....	Steel, 722.6 B2 Clutch (.070") 24 Internal Teeth (6 1/8"OD) 1996-Up.....	3-4.....	
78124AA.....	Steel, 722.6 B2 Clutch (Bottom) .069" (40 External Teeth) 1996-Up (5.215"ID).....	1	
78125A.....	Cushion, 722.6 B2 Clutch (.080") (4 External Teeth) 1996-Up	1	
78126A.....	Use U78134A	6	
78126AA.....	Use U78134AA.....	6	
78126C.....	Use 78134C	6	
78127A.....	Use U78135A	1	
78130A.....	Steel, 722.6 B3 Clutch (.070") 30 Teeth (6 1/8"OD) 1996-Up	3-5.....	
78131A.....	Cushion, 722.6 B3 Clutch (Bottom) .109" (3 Teeth) 6 1/8"ID 1996-Up.....	1	
78134A.....	Steel, 722.6 (Mercedes) B1 Clutch (.069") 12 Teeth (Bottom) 6.063"ID 1996-Up(Also Fits 722.6 (Mercedes) K1 Clutch)	2	
78134AA.....	Steel, 722.6 (Mercedes) B1 Clutch (.135") 12 Teeth (Middle) 1996-Up (6.063"ID).....(Also Fits 722.6 (Mercedes) K1 Clutch).....	1-2	
78134C.....	Friction, 722.6 (Chrysler) B1 Clutch (.082") 12 Teeth Outer, 1 Sided) 2004-Up(6.063"ID) (Also Fits 722.6 (Chrysler) K1 Clutch)	3-5.....	
78135A.....	Cushion, 722.6 B1 Clutch (.061") 3 Teeth (6.067"ID) 1996-Up (Also Fits 722.6 K1 Clutch).....	2	

PART #	PRESSURE PLATES	QTY	REFERENCE #
78140A.....	Pressure Plate, 722.6 K2 Clutch (.156") 30 Teeth (5.765"ID) 1996-Up.....	1	
78142A.....	Pressure Plate, 722.6 K3 Clutch (Top) .155" (24 Teeth) 3.465"ID 1996-Up	1	
78144A.....	Pressure Plate, 722.6 B2 Clutch (Top) .255" (40 Teeth) 5.210"ID 1996-Up	1	
78146A.....	Use U78154A	1	
78150A.....	Pressure Plate, 722.6 B3 Clutch (Top) .255" (30 Teeth) 6 1/8"ID 1996-Up	1	
78154A.....	Pressure Plate, 722.6 B1 Clutch (.156") 12 Teeth (6.063"ID) 1996-Up(Also Fits 722.6 K1 Clutch)	1-2.....	

PART #	SEALING RINGS	QTY	REFERENCE #
78177AT.....	Ring, 722.6 (Mercedes) Input Shaft (Scarf Cut) (Teflon) 1996-Up	3	
78177CT.....	Ring, 722.6 (Chrysler) Input Shaft (Lap Joint) (Teflon) 2004-Up (The Lap Joint Is Like AMortise & Tenon Joint)	3	
78179AT.....	Ring, 722.6 Stator To K1 Drum (Teflon) 1996-Up	3	
78182A.....	O-Ring, 722.6 Center Sun Gear 1996-Up	2	
78183A.....	O-Ring, 722.6 B2 Clutch Housing Support 1996-Up.....	2	
78184AT.....	Ring, 722.6 (Mercedes) Output Shaft (Scarf-Cut) (Teflon) 1996-Up	5	
78184CT.....	Ring, 722.6 (Chrysler) Output Shaft (Lap Joint) (Teflon) 2004-Up	5	

PART #	WASHERS & BEARINGS	QTY	REFERENCE #
78211A.....	Bearing W/Race, 722.6 Stator To K1 Drum (.119" Thick) 1996-Up (3.420"OD) (2.720"ID).....	1	
78214A.....	Bearing W/Race, 722.6 (Mercedes) Front Planet To K2 Drum 1996-Up (No Tabs)	1	
78214C.....	Bearing W/Race, 722.6 (Chrysler) Front Planet To K2 Drum 2004-Up (With 2 Outer Tabs)	1	
78215C.....	Caged Needle Bearing, 722.6 (Chrysler) K2 Drum (Rear) (HK2210) 2004-Up.....	1	
S78215CK.....	Caged Needle Bearing W/Teflon Seal, 722.6 (Chrysler) K2 Drum (Rear) 2004-Up(Sonnax)	1	
78216A.....	Race, 722.6 K2 Drum To Center Planet (1.686"OD) 1996-Up.....	1	

78217A	Bearing, W/Race, 722.6 K2 Drum To Center Planet (1.755"OD) 1996-Up	1
78220A	Bearing, 722.6 (Mercedes) Rear Sun Gear To K3 Drum (.078" Thick) 1.905"ID (2.403"OD) 1996-Up	1
78220C	Race, 722.6 (Chrysler) Rear Sun Gear To Bearing #221 (.038" Thick)(1.915"ID)(2.553"OD) 2004-Up	1
78221A	Race, 722.6 (Mercedes) Rear Sun Gear To K3 Drum (.125" Thick) 1.095"ID (2.395"OD) 1996-Up	1
78221C	Ball Bearing, 722.6 (Chrysler) Rear Sun Gear To K3 Drum (.392" Thick)(2.560"OD) (Cast # INA A210 981 03 25) 2004-Up	1
78228A	Caged Needle Bearing, 722.6 Stator (Outer) To K1 Drum 1996-Up (.307" Wide, 2.700"OD)	1
78231A	Race, 722.6 Center Sun Gear To B2 Clutch Housing (Stepped) 1996-Up (.177" Thick) 1.405"ID (2.198"OD)	1
78232A	Bearing, 722.6 Center Sun Gear To B3 Clutch Housing 1996-Up (.078") 1.385"ID (1.840"OD)	1
78233A	Race, 722.6 (Mercedes) Center Sun Gear To B2 Clutch Housing 1996-Up(.121" Thick) 1.386"ID (1.822"OD)	1
78233C	Race, 722.6 (Chrysler) Center Sun Gear To B2 Clutch Housing 2004-Up (.132" Thick) 1.386"ID (1.822"OD)	1
78238A	Bearing W/Race, 722.6 (Mercedes) K1 Drum To Front Planet 1996-Up (2.922"OD) .110" Thick (2.347"ID)	1
78238C	Bearing, 722.6 (Chrysler) K1 Drum To Front Planet 2004-Up (2.859"OD) .078" Thick (2.347"ID)	1
78246A	Race, 722.6 (Mercedes) Center Planet To Rear Planet (.031" Thick) 2.744"OD (2.235"ID) 1996-Up	1
78246C	Race, 722.6 (Chrysler) Center Planet To Rear Planet 2004-Up (.031" Thick) 2.554"OD (2.045"ID)	1
78247A	Bearing W/Race, 722.6 (Mercedes) Center Planet To Rear Planet (.110" Thick) 2.850"OD (2.238"ID) No Tabs	1
78247C	Bearing W/Race, 722.6 (Chrysler) Center Planet To Rear Planet (.110" Thick) 2.670"OD (2.053"ID) 2 Tabs 2004-Up	1
78248A	Bearing W/Race, 722.6 (Mercedes) Rear Planet To Rear Sun Gear (.136 Thick) 2.985"OD (2.235"ID) No Tabs 1996-Up	1
78248C	Bearing W/Race, 722.6 (Chrysler) Rear Planet To Rear Sun Gear (.136" Thick) 2.985"OD (2.060"ID) 2 Tabs 2004-Up	1
78250A	Split Caged Needle Bearing, 722.6 Output Shaft (Plastic) 1996-Up	1
78270AA	Shim, 722.6 Park Gear To Rear Case Ball Bearing (.008") 1996-Up	1
78270AB	Shim, 722.6 Park Gear To Rear Case Ball Bearing (.012") 1996-Up	1
78270AC	Shim, 722.6 Park Gear To Rear Case Ball Bearing (.016") 1996-Up	1
78270AD	Shim, 722.6 Park Gear To Rear Case Ball Bearing (.020") 1996-Up	1
78270AK	Shim Kit, 722.6 Park Gear To Rear Case Ball Bearing (Contains: .008", .012", .016", .020" Shims)(Also Contains: 12 Shimms For K2 Drum To Race #216)(For End Play)(Superior)	1
78271A	Ball Bearing, 722.6 Case To Output Shaft (1.256"ID) (2.441"OD) 1996-Up (Cast # 140 981 01 25, INA 6206E A HO1)	1

MERCEDES

PART #	GASKETS & RUBBER COMPONENTS	QTY	REFERENCE #
--------	-----------------------------	-----	-------------

78300A	Gasket, 722.6 Bottom Pan 1996-Up	1
78311A	O-Ring, 722.6 Pump Body To Bell 1996-Up	1
78347A	O-Ring, 722.6 Case Connector (Large)(Orange) 1996-04	1
78347AA	O-Ring, 722.6 Case Connector (Small)(Orange) 1996-04	1
78347C	O-Ring, 722.6 Case Connector (Large)(Black) 2005-Up	1
78347CA	O-Ring, 722.6 Case Connector (Small)(Black) 2005-Up	1
78371C	Boot, 722.6 (Chrysler) Filler Tube 2004-Up	1

PART #	TECHNICAL MANUALS	QTY	REFERENCE #
--------	-------------------	-----	-------------

78400A	Tech Manual And DVD, 722.6 1996-Up (Updated)	1
78400AA	Tech Manual (Without CD), 722.6 1996-Up	1

PART #	MISCELLANEOUS COMPONENTS	QTY	REFERENCE #
--------	--------------------------	-----	-------------

78414A	Parking Lock Interlock Linkage, 722.6 (Early Design, Uses A Locking Tab To Attach To Cable)	1
78414AA	Parking Lock Interlock Linkage, 722.6 (Late Design, Uses A Twist Lock To Attach To Cable)	1

PART #	ELECTRICAL COMPONENTS	QTY	REFERENCE #
78421A	Solenoid, 722.6 1-2/4-5 Shift (2 O-Ring Type) 1996-Up (Also Fits 722.6 2-3 (#422) & 3-4 (#423) Shift)	1-4	
78422A	Use 78421A	1	
78423A	Use 78421A	1	
78425A	Solenoid, 722.6 Lock-Up (PWM) (1 O-Ring Type) 1996-Up	1	
78431A	Solenoid, 722.6 Modulating Pressure Regulating 1996-Up (Also Is A Shift Pressure Regulating Solenoid) (No O-Rings)	1	
78444A	Connector, 722.6 Valve Body To Case (Plastic, 13 Pin Holes)(1 Bolt, 2 O-Rings) 1996-Up	1	
78446A	Conductor Plate, 722.6 (Mercedes & Sprinter Van With CAst # 140 270 1161) Valve Body 1996-Up	1	
78446C	Conductor Plate, 722.6 (Some Chrysler With Cast # 140 270 1261 Or 140 270 0961) Valve Body 2004-Up	1	
78459A	Cover, 722.6 Solenoid (The 2 Solenoid Cover) 1996-Up	1	
78459B	Cover, 722.6 Solenoid (The 4 Solenoid Cover) 1996-Up	1	

PART #	MISCELLANEOUS COMPONENTS	QTY	REFERENCE #
78475C	Teflon Sleeve, 722.6 (Chrysler) Under #215 Bearing In K2 Drum 2004-Up	1	
78490A	Vent, 722.6 (Mercedes) Bell Housing (Round Plastic) 1996-Up	1	
78490C	Vent, 722.6 (Chrysler) Bell Housing (Plastic Elbow) 2004-Up	1	
78493-1A	Dipstick Lock Pin, 722.6	1	

PART #	HARD PARTS	QTY	REFERENCE #
78510A	Pump Body W/Gears, 722.6 (5.980"OD) (Cast Iron) 1996-Up	1	
78520A	Stator, 722.6 (Mercedes) Uses 2 Double Sided Frictions On Rear 1996-Up (Cast # 140 272 10 24)	1	
78520AA	Stator, 722.6 (Mercedes) (Uses 3 Double Sided Frictions On Rear) 1996-Up (Cast # 140 272 10 24)	1	
78520AB	Stator, 722.6 (Mercedes) (Uses 4 Double Sided Frictions On Rear) 1996-Up (Cast # 140 272 10 24)	1	
78520AC	Stator, 722.6 (Mercedes)(Uses 3 Double Sided Frictions On Rear) 1996-Up (Cast # R140 272 2224)	1	
78520C	Stator, 722.6 (Chrysler) (Uses 3 Single Sided Frictions On Rear) 2004-Up (Cast # 140 272 22 24)	1	
78520AD	Stator, 722.6 (Mercedes) (Uses 4 Double Sided Frictions On Rear) 1996-Up (Cast # R140 272 2224)	1	
78520C	Stator, 722.6 (Chrysler)(Uses 3 Single Sided Frictions On Rear) 2004-Up (Cast # 140 272 2224)	1	

PART #	PUMP COMPONENTS	QTY	REFERENCE #
78530A	Pump Gear Set, 722.6 (.503" Thick) 19 Teeth Inner (23 Teeth Outer) 1996-Up (2 Drive Lugs For Converter)	1	
78544A	Plate, 722.6 (Mercedes) Pump (68 Holes Total) 1996-97	1	140-277-4214
78544C	Plate, 722.6 Pump (69 Holes Total) 1998-Up	1	

PART #	HARD PARTS (Continued)	QTY	REFERENCE #
78550A	Drum W/Shaft, 722.6 (Mercedes) K2 (With 90 Teeth Ring Gear) 1996-Up (Has A Bushing # 038, Inside Rear)	1	
78550AA	Drum W/Shaft, 722.6 (Mercedes) K2 (With 90 Teeth Ring Gear) 1996-Up (Has A Caged Needle Bearing #215 & Teflon Sleeve #475 Inside)	1	
78550AB	Drum W/Shaft, 722.6 (Mercedes) K2 (With 78 Teeth Ring Gear) 1996-Up (Has A Bushing #038 Inside Rear)	1	
78550AC	Drum W/Shaft, 722.6 (Mercedes) K2 (With 79 Teeth Ring Gear) 1996-Up (Has A Bushing #038 Inside Rear)	1	
78550AD	Drum W/Shaft, 722.6 (All) K2 (With 79 Teeth Ring Gear) 2004-Up (Has A Caged Needle Bearing # 215 & Teflon Sleeve # 475 Inside Rear)	1	
78550B	Drum W/Shaft, 722.6 (Mercedes) K2 (With 92 Teeth Ring Gear) 1996-Up (Has A Caged Needle Bearing #215 & Teflon Sleeve # 475 Inside Rear)	1	
78550C	Drum W/Shaft, 722.6 (Chrysler) K2 (With 78 Teeth Ring Gear) 2004-Up (Has A Caged Needle Bearing #215 & Teflon Sleeve #475 Inside Rear)	1	
78551A	Drum, 722.6 (Mercedes) K3 Clutch (3 Clutch)(2.235" Tall)(.390" From Top Of Snap Ring Groove To Top Of Drum)(Uses 3 Two Sided Frictions) 1996-Up	1	
78551AA	Drum, 722.6 (Mercedes) K3 Clutch (4 Clutch)(2.235" Tall)(.190" From Top Of Snap Ring Groove To Top Of Drum)(Uses 4 Two Sided Frictions) 1996-Up	1	

PART #	HARD PARTS (Continued)	QTY	REFERENCE #
78551C	Drum, 722.6 (Chrysler) K3 Clutch (4 Clutch)(2.235" Tall)(.260" From Top Of Snap Ring Groove To Top Of Drum)(Uses 4 One Sided Internal Teeth Frictions) 2004-Up	1	
78551CA	Drum, 722.6 (Chrysler) K3 Clutch (5 Clutch)(2.450" Tall)(.190" From Top Of Snap Ring Groove To Top Of Drum)(Uses 5 One Sided Internal Frictions)(Hemi) 2004-Up	1	
78552A	Housing, 722.6 (Mercedes) B2 Clutch (Cast # 202 272 04 31) 1996-Up (Aluminum) (3.495" Thick)	1	
78552C	Housing, 722.6 (Chrysler) B2 Clutch (Cast # 210 272 19 31) 2004-Up (Aluminum) (3.180" Thick)	1	
78555A	Drum, 722.6 (Mercedes) K1 Clutch (3 Clutch) With 50 Teeth Sun Gear (Uses Double Sided Friction) (Cast # R210 272 00 24) 1996-Up	1	
78555AC	Drum, 722.6 (Mercedes) K1 Clutch (4 Clutch) With 58 Teeth Sun Gear (Uses Double Sided Friction)(Cast # R140 272 11 24) 2004-Up	1	
78555C	Drum, 722.6 (Chrysler) K1 Clutch (5 Clutch) With 58 Teeth Sun Gear (Uses 1 Sided Friction) (Cast # R140 272 11 24) 2004-Up	1	
78560A	Piston Kit, 722.6 (Mercedes) K2 Clutch (1.775" Thick Piston) 1996-Up	1	
78560C	Piston Kit, 722.6 (Chrysler) K2 Clutch (1.595" Thick Piston) 2004-Up	1	
78561A	Piston Kit, 722.6 K3 Clutch (Aluminum Piston # 140 272 19 31) 1996-Up	1	
78562A	Piston Kit, 722.6 B2 Clutch (Outer Piston # 140 272 20 31) 1996-Up	1	
78565A	Piston Kit, 722.6 K1 Clutch (Aluminum) 1996-Up	1	
78567A	Piston Kit, 722.6 (Mercedes) B1 Clutch (Bonded) (.700" Thick) 1996-Up	1	
78567C	Piston Kit, 722.6 (Chrysler) B1 Clutch (Bonded) (.877" Thick) 2004-Up	1	
78580A	Planet W/Shaft, 722.6 (Mercedes) Center (34 Teeth Sun Gear) 1996-Up (.905"OD Front Pilot)	1	
78580AE	Planet W/Shaft, 722.6 (Mercedes) Center (34 Teeth Sun Gear) 2002-Up (.866"OD Front Pilot)	1	
78580B	Planet W/Shaft, 722.6 (Mercedes)(4x4) Center (30 Teeth Sun Gear) 2002-Up (.905"OD Front Pilot)	1	
78580C	Planet W/Shaft, 722.6 (Chrysler) (4x4) Center (30 Teeth Sun Gear) 2004-Up (.870"OD Front Pilot)	1	
78582A	Planet, 722.6 (Mercedes) Front (3 Gear Aluminum) (50 Teeth Sun Gear) 1996-Up	1	
78582C	Planet, 722.6 (Chrysler) Front (4 Gear Aluminum) (58 Teeth Sun Gear) 2004-Up	1	
78583A	Planet Assembly, 722.6 (Mercedes) Uses 34 Teeth Sun Gear #610 (.905"OD Pilot # 580) (#584 IS 4.02" Tall With 16 Teeth Gears)(#594 Is 5 1/2"ID)(Includes: # 594,580, 250, 889, 590, 246, 247, 584, 610, 866, 654, 614, 056, 220, 221 & 888)	1	
78583AA	Planet Assembly, 722.6 (Mercedes) 34 Teeth Sun Gear # 610 (.905"OD Pilot #580) (#584 Is 4.270" Tall With 19 Teeth Gears) (#594 Is 5 3/4"ID) (Includes: 594, 580, 250, 889, 590, 246, 247, 584, 248, 610, 866, 654, 614, 056, 220, 221 & 888)	1	
78583AC	Planet Assembly, 722.6 (Mercedes) 34 Teeth Sun Gear # 610 (.629"OD Pilot # 580) (#584 Is 4.02" Tall With 16 Teeth Gears) (#594 Is 5 1/2"ID) (Includes: 594, 580, 250, 889, 590, 246, 247, 584, 248, 610, 866, 654, 614, 056, 220, 221 & 888)	1	
78583AD	Planet Assembly, 722.6 (Mercedes) (34 Teeth Sun Gear #610)(.866"OD Pilot #580) (#584 Is 4.02" Tall With 16 Teeth Sun Gears)(#594 Is 5 1/2"ID) (Includes # 594, 580, 250, 889, 590, 246, 247, 584, 248, 610, 866, 654, 614, 056, 220, 221 & 888)	1	
78583AE	Planet Assembly, 722.6 (Mercedes) (34 Teeth Sun Gear #610)(.866"OD Pilot # 580) (#584 Is 4.050" Tall With Three 19 Teeth Gears)(#594 Is 5 1/2"ID With 103 Teeth)(Uses A 65 Teeth #614)(Includes # 594, 580,250,889,590,246,247,584,248,610,866,654,614,056, 220, 221 & 888)	1	
78583B	Planet Assembly, 722.6 (Mercedes) 4x4 (30 Teeth Sun Gear #614)(.905"OD Pilot #580) (#584 Is 4.290" Tall W/3 19 Teeth Gears)(#594 Is 90 Teeth)(Includes # 594, 580, 250, 889, 590, 246, 247, 584, 248, 610, 866, 654, 614, 056, 220, 221 & 888) 2002-Up	1	
78583C	Planet Assembly, 722.6 (Chrysler) (4x4) 30 Teeth Sun Gear #610 (.870"OD Pilot #580) (Includes: # 594, 580, 250, 889, 590, 246, 247, 584, 248, 610, 866, 654, 614, 056, 220, 221 & 888)	1	
78584A	Planet, 722.6 (Mercedes) Rear (3 Gear) 54 Teeth Sun Gear (Aluminum Housing) (No Notches For # 247) (4.02" Tall) (16 Teeth Pinions) 1996-Up	1	
78584AE	Planet, 722.6 (Mercedes) Rear (3 Gear) (65 Teeth Sun Gaer)(Aluminum Housing) (4.050" Tall) (19 Teeth Pinions) 2002-Up	1	
78584B	Planet, 722.6 (Mercedes) Rear (3 Gear)(30 Teeth Sun Gear)(Aluminum Housing) (4.290" Tall)(19 Teeth Pinions) 2002-Up	1	
78584C	Planet, 722.6 (Chrysler) Rear (4 Gear) 60 Teeth Sun Gear (Aluminum Housing) (2 Notches For #247) 2004-Up	1	
78590A	Ring Gear, 722.6 (Mercedes) Center Planet (69 Teeth) 18 Lugs (1.160" Wide) 1996-Up	1	
78590C	Ring Gear, 722.6 (Chrysler) Center Planet (74 Teeth) 18 Lugs (1.240" Wide) 2004-Up	1	
78594A	Ring Gear, 722.6 (Mercedes) Rear Planet (87 Teeth)(36 Outer Lugs)(5 1/2"ID) 1996-Up	1	
78594AE	Ring Gear, 722.6 (Mercedes) Rear Planet (103 Teeth)(36 Outer Lugs)(5 1/2"ID) 2002-Up	1	
78594B	Ring Gear, 722.6 (Mercedes) Rear Planet (90 Teeth) 36 Outer Lugs 2002-Up	1	

78594C.....Ring Gear, 722.6 (Chrysler) Rear Planet (108 Teeth) 36 Outer Lugs 2004-Up.....1
78610A.....Sun Gear, 722.6 (Mercedes) Center Planet (34 Teeth) 1996-Up.....1
78610C.....Sun Gear, 722.6 (Chrysler) Center Planet (30 Teeth) 2004-Up.....1
78614A.....Sun Gear, 722.6 (Mercedes) Rear Planet (54 Teeth) 24 Teeth Clutch Hub(3.015" Long) (Has A Bushing Inside) 1996-Up.....1
78614AB.....Sun Gear, 722.6 (Mercedes) Rear Planet (50 Teeth)(24 Teeth Clutch HUB)(3.015" Long)(Has A Bushing Inside) 1996-Up.....1
78614AE.....Sun Gear, 722.6 (Mercedes) Rear Planet (65 Teeth) 2002-Up.....1
78614B.....Sun Gear, 722.6 (Mercedes) Rear Planet (30 Teeth)(24 Teeth Clutch Hub)(3.015" Long)(Uses A Bearing Inside) 2002-Up.....1
78614C.....Sun Gear, 722.6 (Chrysler) Rear Planet (60 Teeth) 24 Teeth Clutch Hub(3.015" Long) Uses A Bearing Inside 2004-Up.....1
78620A.....Shell, 722.6 (Mercedes) Driving (For 3 Gear Front Planet) 1996-Up.....1
78620C.....Shell, 722.6 (Chrysler) Driving (For 4 Gear Front Planet) 2004-Up.....1
78634A.....Support, 722.6 B2 Clutch Housing (Cast # 140 272 06 32) 1996-Up(Aluminum With Steel Sleeve Inside) (6 11/16"OD).....1

PART #	SPRAGS & ONE WAY CLUTCHES	QTY	REFERENCE #
78654A.....Sprag, 722.6 (Mercedes) F2 (Rear) (14 Elements) 1996-Up.....1			
78654C.....Sprag, 722.6 (Chrysler) F2 (Rear) (20 Elements) 2004-Up (Retro Fits 1996-Up).....1			
78658A.....Sprag W/End Washers, 722.6 (Mercedes) F1 (16 Elements) 1996-Up (Use 78658C).....1			
78658C.....Sprag W/End Washers, 722.6 (Chrysler) F1 (20 Elements)(.844" Thick Washers) 2004-05(Retro Fits 1996-05).....1.....722-270-0031			
78658CA.....Sprag W/End Washers, 722.6 F1 (20 Elements)(.924" Thick With Washers) 2006-Up.....1			

PART #	HARD PARTS (Continued)	QTY	REFERENCE #
78690A.....Parking Gear, 722.6 (16 Lugs) (6.062"OD) 1996-Up.....1			
78740A.....Valve Body, 722.6 (Mercedes) With 6 Solenoids (Cast # 02 06 Below The Manual Valve Stop) 1996-Up.....1			
78740AA.....Valve Body, 722.6 (Mercedes) With 6 Solenoids (Cast # 04 06 Below The Manula Valve Stop) 1996-Up.....1			
78740AB.....Valve Body, 722.6 (Mercedes) With 6 Solenoids (Cast # 05 06 Below The Manual Valve Stop) 1996-Up.....1			
78740AC.....Valve Body, 722.6 (Mercedes/Sprinter Van) With 6 Solenoids (Cast # 06 06 Below The Manual Valve Stop) 1996-Up.....1			
78740C.....Valve Body, 722.6 (Chrysler) With 6 Solenoids (Cast # 52108216AA) 2004-Up.....1			

PART #	VALVE BODY COMPONENTS	QTY	REFERENCE #
S68741AP-3...Spring, 722.6 Solenoid Pressure Regulator (Sonnax).....1			
S78741CAK...Valve Kit, 722.6 TCC Lock-Up Regulator (Sonnax)(Must Use T-F-68942-TL10 & T-VB-Fix).....1			
T-F-68942-TL10 Reamer For S78741CAK.....1			
T-VB-Fix.....Valve Body Reaming Fixture (Sonnax).....1			
S78741CDK...Valve Kit, 722.6 TCC Damper (Contains: Valve, Sleeve, Spring, Clip & O-Rings)(Sonnax).....1			
S78741DK.....Overlap Control Valve Sleeve Kit, 722.6 (1-2/4-5, 2-3, 3-4 Overlap Control Valve (Sonnax)(Contains: 3 Sleeves & 3 O-Rings).....1			
S78741PK.....Pressure Regulator Assembly, 722.6 (Contains: Valve, Inner & Outer Spring)(Sonnax)(Must Use T-F-68942-TL7 & T-VB-Fix).....1			
T-F-68942-TL7Reamer For S78741PK.....1			
A78741PL.....Valve, 722.6 Pressure Regulator Lube Bore (LPR)(Superior)(Must Use A78741PLK Also).....1			
A78741PLK...Repair Kit, 722.6 Pressure Regulator Lube Bore (Repairs 5 Units)(Contains: 5 Valves,1 Reamer, 1 Reamer Guide, 1 Alignment Pin, 1 Bore Brush & 4 Bolts)(Superior).....1			

PART #	HARD PARTS (Continued)	QTY	REFERENCE #
78690A.....Parking Gear, 722.6 (16 Lugs) (6.062"OD) 1996-Up.....1			
78750AB.....Bell Housing, 722.6 (Mercedes) 4 5/8" Top Bolts (Square Top) Starter At 3:00(Cast # R210 271 09 01) 1996-Up.....1			
78750AE.....Bell Housing, 722.6 (Mercedes) 5 3/4" Top Bolts (Round Top) Starter At 3:00 & 9:00(Cast # R140 271 27 01) 1996-Up.....1			
78750AJ.....Bell Housing, 722.6 (Mercedes) 6" Top Bolts (Round Top) Starter At 3:00 & 9:00(Cast # 210 271 08 01) 1996-Up.....1			
78750C.....Bell Housing, 722.6 (Chrysler) 8 3/4" Top Bolts (Round Top) 2004-Up (Starter At 3:00)Cast # 435AA-1, 29340287, 521084030).....1			
78760A.....Case, 722.6 (Mercedes) 2WD (5/8"OD Filler Tube Hole) 1996-Up(Has A Sensor On Rear Of Case)(Cast # 140 27 28 01).....1			
78760AC.....Case, 722.6 (Mercedes) 2WD (5/8"OD Filler Tube Hole) 1996-Up(Has A Sensor On Rear Of Case) (Cast # 901 271 00 01).....1			

MERCEDDES

PART #	HARD PARTS (Continued)	QTY	REFERENCE #
78760C	Case, 722.6 (Chrysler) 4x4 (1 3/16"OD Filler Tube Hole) 2004-Up (Has 12 Rear Bolt Holes For Extention Housing Adapter)	1	
78760CC	Case, 722.6 (Chrysler) 2WD (1 3/16"OD Filler Tube Hole) 2004-Up (Cast # 103AA-03 And # 103AA-E)	1	
78765A	Pan, 722.6 (Mercedes) Bottom (With Drain Plug) 1996-Up	1	
78765C	Pan, 722.6 (Chrysler) Bottom (No Drain Plug) 2004-Up	1	
78770C	Extention Housing Adapter, 722.6 (Chrysler) 4x4 (Aluminum) (4 13/16" Long) 2004-Up (Cast # 52108571AA) (12 Bolts To Case)	1	
78776AK	Bolt Set, 722.6 Bell Housing To Case (26 Pieces) 1996-Up	1	
78778AK	Bolt Set, 722.6 Stator To Body (7 Pieces) 1996-Up	1	
78779AK	Bolt Set W/Retainers, 722.6 Pan To Case (6 Pieces) 1996-Up	1	
78781CK	Bolt Set, 722.6 (Chrysler) 4x4 Extention Housing Adapter To Case (12 Pieces) 1996-Up	1	
78782AK	Bolt Set, 722.6 Valve Body To Case (10 Pieces) 1996-Up	1	
78784AK	Bolt Set, 722.6 (Mercedes) Front Planet To Shell (3 Pieces) 1996-Up	1	
78784CK	Bolt Set, 722.6 (Chrysler) Front Planet To Shell (4 Pieces) 2004-Up	1	
78790AK	Bolt Set, 722.6 B2 Clutch Support To Case (2 Pieces) 1996-Up	1	
78798A	Nut, 722.6 Yoke To Output Shaft (12 Point) 1996-Up	1	
78841A	Yoke, 722.6 (Mercedes) 2WD Output Shaft (3 Bolt) 1996-Up (1.650"OD At The Seal Surface)	1	
78841CA	Yoke Sleeve, 722.6 (Chrysler) 4x4 Output Shaft To Transfer Case (1.650"OD Where Seal Rides & 2.665"OD On Other End) 2004-Up	1	
78861AA	Snap Ring, 722.6 Holds Pressure Plate In K2 Drum (.086") 1996-Up	1	
78861AB	Snap Ring, 722.6 Holds Pressure Plate In K2 Drum (.100") 1996-Up	1	
78861AC	Snap Ring, 722.6 Holds Pressure Plate In K2 Drum (.112") 1996-Up	1	
78861AD	Snap Ring, 722.6 Holds Pressure Plate In K2 Drum (.124") 1996-Up	1	
78861AE	Snap Ring, 722.6 Holds Pressure Plate In K2 Drum (.135") 1996-Up	1	
78862A	Snap Ring, 722.6 Holds K2 Retainer In Drum 1996-Up	1	
78864AA	Snap Ring, 722.6 Holds Pressure Plate In K3 Drum (.074") 1996-Up	1	
78864AB	Snap Ring, 722.6 Holds Pressure Plate In K3 Drum (.086") 1996-Up	1	
78864AC	Snap Ring, 722.6 Holds Pressure Plate In K3 Drum (.098") 1996-Up	1	
78864AD	Snap Ring, 722.6 Holds Pressure Plate In K3 Drum (.110") 1996-Up	1	
78864AE	Snap Ring, 722.6 Holds Pressure Plate In K3 Drum (.122") 1996-Up	1	
78865A	Snap Ring, 722.6 Holds K3 Clutch Piston Retainer In 1996-Up	1	
78866A	Snap Ring, 722.6 Holds F2 Sprag In Rear Planet 1996-Up	1	
78873AA	Snap Ring, 722.6 Holds B2 Clutch Pressure Plate In Housing (.110") 1996-Up	1	
78873AB	Snap Ring, 722.6 Holds B2 Clutch Pressure Plate In Housing (.122") 1996-Up	1	
78873AC	Snap Ring, 722.6 Holds B2 Clutch Pressure Plate In Housing (.134") 1996-Up	1	
78873AD	Snap Ring, 722.6 Holds B2 Clutch Pressure Plate In Housing (.146") 1996-Up	1	
78873AE	Snap Ring, 722.6 Holds B2 Clutch Pressure Plate In Housing (.158") 1996-Up	1	
78874A	Snap Ring, 722.6 Holds B2 Clutch Piston Retainer In 1996-Up	1	
78878A	Use U78885	1	
78879A	Snap Ring, 722.6 Holds K1 Clutch Retainer In Drum 1996-Up	1	
78881A	Snap Ring, 722.6 Holds F1 Sprag To K1 Drum (2.395"OD) (Both Sides) 1996-Up	1	
78882A	Snap Ring, 722.6 Holds Rear Planet Ring Gear To K2 Drum 1996-Up	1	
78885AA	Snap Ring, 722.6 Holds Pressure Plate On Stator (.098") 1996-Up (Also Fits 722.6 Holds Pressure Plate In K1 Drum (Selective) 1996-Up)	1-2	
78885AB	Snap Ring, 722.6 Holds Pressure Plate On Stator (.110") 1996-Up (Also Fits 722.6 Holds Pressure Plate In K1 Drum (Selective) 1996-Up)	1-2	
78885AC	Snap Ring, 722.6 Holds Pressure Plate On Stator (.122") 1996-Up (Also Fits 722.6 Holds Pressure Plate In K1 Drum (Selective) 1996-Up)	1-2	
78885AD	Snap Ring, 722.6 Holds Pressure Plate On Stator (.134") 1996-Up (Also Fits 722.6 Holds Pressure Plate In K1 Drum (Selective) 1996-Up)	1-2	
78885AE	Snap Ring, 722.6 Holds Pressure Plate On Stator (.146") 1996-Up (Also Fits 722.6 Holds Pressure Plate In K1 Drum (Selective) 1996-Up)	1-2	
78886A	Retainer, 722.6 B1 Clutch Spring (Stepped) (5.385"OD) 1996-Up	1	
78888A	Snap Ring, 722.6 Holds Rear Sun Gear To Center Sun Gear (W/2 Eyelets) 1996-Up	1	
78889A	Snap Ring, 722.6 (Mercedes) Holds Center Planet Ring Gear To Rear Planet (.077" Thick) (5.220"OD) 1996-Up	1	
78889C	Snap Ring, 722.6 (Chrysler) Holds Center Planet Ring Gear To Rear Planet (.075" Thick) (5.437"OD) 2004-Up	1	
78892AA	Snap Ring, 722.6 Holds B3 Clutch Pressure Plate In Case (.124") 1996-Up	1	
78892AB	Snap Ring, 722.6 Holds B3 Clutch Pressure Plate In Case (.135") 1996-Up	1	
78892AC	Snap Ring, 722.6 Holds B3 Clutch Pressure Plate In Case (.147") 1996-Up	1	
78892AD	Snap Ring, 722.6 Holds B3 Clutch Pressure Plate In Case (.157") 1996-Up	1	
78892AE	Snap Ring, 722.6 Holds B3 Clutch Pressure Plate In Case (.169") 1996-Up	1	
78892AF	Snap Ring, 722.6 Holds B3 Clutch Pressure Plate In Case (.181") 1996-Up	1	
78894A	Snap Ring, 722.6 Holds K3 Clutch Drum To Center Sun Gear 1996-Up (W/2 Eyelets)	1	

78895ASnap Ring, 722.6 Holds Ball Bearing In Case (.081"Thick) 1996-Up1
78960APiston, 722.6 (Mercedes) K2 Clutch (1.775" Thick) (Steel) 1996-Up1
78960CPiston, 722.6 (Chrysler) K2 Clutch (1.595" Thick) (Steel) 2004-Up1
78961APiston, 722.6 K3 Clutch (Aluminum) (Cast # 140 272 19 31) 1996-Up1
78962APiston, 722.6 B2 Clutch (Outer) (Cast # 140 272 20 31) 1996-Up (1.375" Thick) 3.150"ID (5.900"OD)1
78962BPiston, 722.6 B2 Clutch (Inner) (Cast # 140 272 07 32) 1996-Up (.800" Thick) 2.400"ID (4.700"OD) With Check Ball1
78965APiston, 722.6 K1 Clutch (Aluminum) 2.205" Thick (Cast # 140 272 1431) 1996-Up1
78967APiston, 722.6 (Mercedes) B1 Clutch (Bonded) .700" Thick (6 5/8"OD) 36 Legs (Uses A Double Sided Friction) 1996-Up1
78967CPiston, 722.6 (Chrysler) B1 Clutch (Bonded) .877" Thick (6 5/8"OD) 36 Legs (Uses A 1 Sided Friction) 2004-Up1
78970ASpring, 722.6 K2 Clutch Piston Return (10 Fingers) 1996-Up1
78971ASpring, 722.6 K3 Clutch Piston Return (20 Fingers) 1996-Up1
78972ASpring, 722.6 B2 Clutch Piston Return (10 Fingers) 1996-Up1
78975ASpring, 722.6 K1 Clutch Piston Return (10 Fingers) 1996-Up1
78977ASpring, 722.6 B1 Clutch Return (36 Outer Fingers) (.053"Thick) 1996-Up1
78980ARetainer, 722.6 K2 Piston (Steel) (4.545"OD) 1996-Up1
78982ARetainer, 722.6 B2 Clutch Piston Spring (2 Tabs) 1996-Up1
78985ARetainer, 722.6 K1 Clutch Return Spring (5.176"OD) 1996-Up1
78991ALinkage Assembly, 722.6 (Mercedes) Internal (7 Pieces With Sensor) 1996-Up1
78991CLinkage Assembly, 722.6 (Chrysler) (4 Pieces, No Sensor) 2004-Up1
78992AShift Lever, 722.6 (Mercedes) External (Straight With Grommet) 1996-Up1
78992CShift Lever, 722.6 (Chrysler) External (Off Set With Grommet) 2004-Up1
78995APark Pawl Assembly, 722.6 (5 Pieces) 1996-Up1